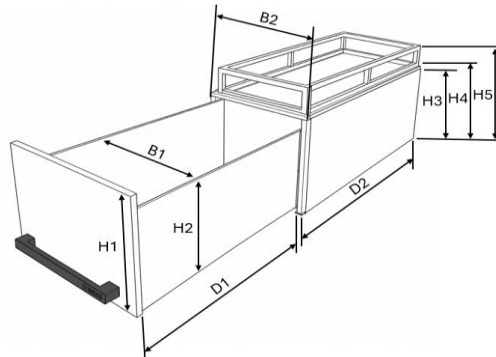


ALU Drawer

01 WIDTH		30	40	50	60	70	80	90	100	110	120	130	140	-	-	-			
Drawer inside 30 t-m 70 [mm]	B1	262	361	460	559	658	Combinations of several drawers												
External unit [mm]	B2	317	416	515	614	713	812	911	1.010	1.109	1.208	1.307	1.406						
Drawer inside 80 t-m 100 [mm]	B1	No combination possible					763	863	963	No combination possible									
External unit [mm]	B2						815	915	1.015										

02 HEIGHT		19	27	35	43	51	59	66	76	84	92	100	108	115	123	131			
Drawer inside [mm]	H1	117	196	275	354	432	511	590	Combinations of several drawers										
Drawer type designation		A	B	C	D	E	F	G											
Drawer side height [mm]	H2	86	177	177	177	330	330	330											
Height of partition [mm]		76	168	168	168	320	320	320											
External unit [mm]	H3	193	272	351	430	509	588	667	764	843	922	1.001	1.080	1.159	1.238	1.317			
Unit with raised edge 'low' 20 mm	H4	209	288	367	446	525	604	683	780	859	938	1.017	1.096	1.175	1.254	1.333			
Unit with raised edge 'high' 110 mm	H5	299	378	457	536	615	694	773	870	949	1.028	1.107	1.186	1.265	1.344	1.423			

03 DEPTH		60	65	70	75	80	90	105	120	135	150	165	175	190	-	-
Drawer inside [mm]	D1	458	508	558	608	658	758	903	1.048	1.193	1.338	1.483	1.628	1.773		
Percentage of tray opening (%)		76%	78%	80%	81%	83%	85%	82%	85%	87%	88%	89%	90%	91%		
Standard partition		-	-	-	-	-	-	1 partition is fitted during production								
Max. load capacity per drawer		60 KG						100 KG								
Mounting method		Standard with spindles (*)						Standard with mounting bracket (*)								
* Mounting method can be customized in production upon request																
External unit [mm]	D2	588	638	688	738	788	888	1.033	1.178	1.323	1.468	1.613	1.758	1.903		
Handle		The height of the handle (32 mm) is included in the external dimensions														

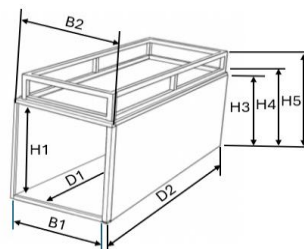


Open compartment

07 WIDTH		10	20	30	40	50	60	70	80	90	100	110	120	130	140	-
Open compartment inside [mm]	B1	79	178	277	376	475	574	673	772	871	970	1.069	1.168	1.267	1.366	
		Combinations of multiple open compartments														
External unit [mm]	B2	119	218	317	416	515	614	713	812	911	1.010	1.109	1.208	1.307	1.406	

08 HEIGHT		19	27	35	43	51	59	66	76	84	92	100	108	115	123	131		
Open compartment inside [mm]	H1	161	240	319	398	477	556	635	Combinations of multiple open compartments									
External unit [mm]	H3	193	272	351	430	509	588	667	764	843	922	1.001	1.080	1.159	1.238	1.317		
Unit with raised edge 'low' 20 mm	H4	209	288	367	446	525	604	683	780	859	938	1.017	1.096	1.175	1.254	1.333		
Unit with raised edge 'high' 110 mm	H5	299	378	457	536	615	694	773	870	949	1.028	1.107	1.186	1.265	1.344	1.423		

09 DEPTH		60	65	70	75	80	90	105	120	135	150	165	175	190	-	-
Open compartment inside [mm]	D1	540	590	640	690	740	840	985	1.130	1.275	1.420	1.565	1.710	1.855		
External unit [mm]	D2	556	606	656	706	756	856	1.001	1.146	1.291	1.436	1.581	1.726	1.871		

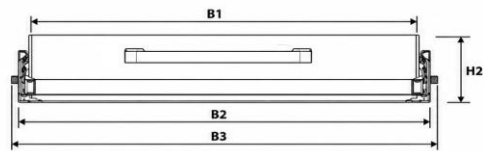
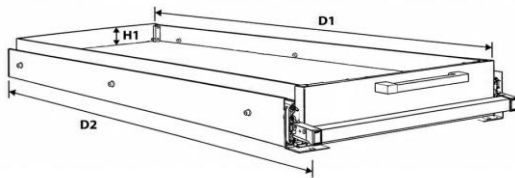


Vario Slide

04 WIDTH		30	40	50	60	70	80	90	100	-	-	-	-	-
Slide inside [mm]	B1	262	361	460	559	658	763	863	963					
Slide external [mm]	B2	321	420	519	618	717	821	921	1.021					
External unit (incl. bolts) [mm]	B3	341	440	539	638	737	841	941	1.041					

05 HEIGHT		13	22	37	-	-	-	-	-	-	-	-	-	-
Slide inside [mm]	H1	86	176	329										
External unit [mm]	H2	120	210	363										

06 DEPTH		45	50	55	60	70	80	90	100	110	120	130	140	150	
Slide inside [mm]	D1	445	495	545	595	695	795	895	995	1.095	1.195	1.303	1.403	1.503	
Maximum load capacity per Vario slide		100 KG										200 KG			
External unit [mm]	D2	504	554	604	654	754	854	954	1.054	1.154	1.254	1.362	1.462	1.562	
Handle		The height of the handle (52 mm) is included in the external dimensions of the slides													



Flat Slide

07 WIDTH		20	30	40	50	60	70	80	90	100	110	120	130	140
Internal bed dimensions [mm]	B1	136	235	334	433	532	631	730	829	928	1.027	1.126	1.225	1.324
Bed exterior [mm]	B2	186	285	384	483	582	681	780	879	978	1.077	1.176	1.275	1.374
Bed (external dimensions, including bolts) [mm]	B3	206	305	404	503	602	701	800	899	998	1.097	1.196	1.295	1.394

08 HEIGHT		5
Bed exterior [mm]	H1	5

09 DEPTH		45	50	55	60	70	80	90	100	110	120	130	140	150	
Internal bed dimensions [mm]	D1	432	482	532	582	682	782	882	982	1.082	1.182	1.282	1.382	1.482	
Maximum load capacity per Flat slide		100 KG										200 KG			
Bed exterior [mm]	D2	484	534	584	634	734	834	934	1.034	1.134	1.234	1.334	1.434	1.534	
Handle		The handle (52 mm) is included in the external depth													

